

OPTIONS

Seat

- soft wood
- hardwood of European origin
- hard wood (oil finish)
- premium hard wood
- HPL

Methods of installation

- attached by bolts to foundation

Additional table

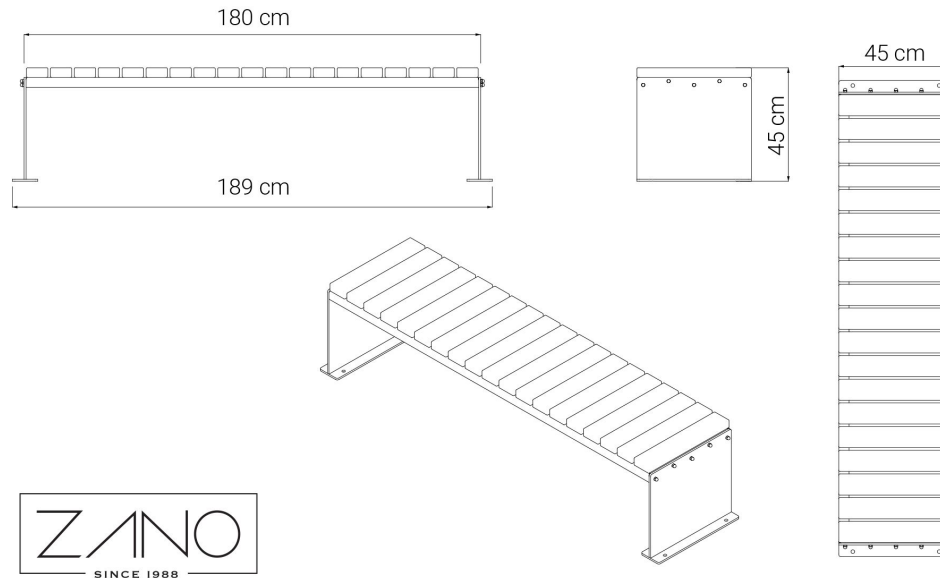
- none
- left side
- right side
- both sides

Armrests

- none
- carbon steel
- stainless steel

DESCRIPTION

Domino is a modern modular bench designed by ZANO company. Domino benches can be combined with each other in any shape, providing an original arrangement of every public space. Domino bench has been designed in stainless steel and wood (local or exotic). Stainless steel in the Domino bench is a guarantee of durability as well as of resistance to changeable weather conditions and mechanical damages associated with high frequency of usage. Classic, simple Domino bench was designed to be an extension of collection consisting of semicircular benches (60° and 90°). Aesthetics, top quality materials and timeless design are definitely the hallmarks of Domino bench. Domino bench is an unusual solution for any...



GENERAL TECHNICAL DATA

Dimensions

- width: 189 cm
- height: 45 cm
- depth: 45 cm

Materials

- sheet steel
- metallurgical angle

Weight

- soft wood: 53 kg
- hardwood of European origin: 64 kg

ZANO



Justyna Derewiaka

Product: Domino bench
 Catalog number: **02.440**
 Designer:
 Justyna Derewiaka

In accordance with the Polish Law on Copyright and Related Rights of 04.02.1994 (Official Journal of Laws No. 24, item 83, corrected: Journal of Laws No. 43, item 170) and in accordance with the EU copyright legislation including all EU directives and regulations on copyright, Zano Mirosław Zarotynski Company, reserves the copyright of drawings, descriptions, 3D models, renderings, graphics, content contained in offers, attachments to offers and all other documents. Its content is the intellectual property of ZANO Mirosław Zarotynski company. The use of author's ideas, solutions, copying, distribution of photos, graphics or fragments of graphics, descriptive texts, for profit, without the permission of the author - ZANO Mirosław Zarotynski company - is prohibited and constitutes a copyright infringement and is punishable.

td>

NOTE: The drawings do not reflect the actual dimensions of the foundation. They are only exemplary assembly schemes taking into account the type of anchoring and the substrate material to which the furniture is to be fixed.

The size of the foundation depends on the local foundation conditions.



INSTALLATION INTO PAVING WITH FOUNDATION

Description of the assembly

1. ZANO product
2. Quick-action fastener or chemical anchor
3. Stone paving / concrete paving / stone slabs / concrete slabs
4. Sand ballast (approx. 2 - 4 cm)
5. Stone aggregate substructure
6. Concrete foundation, class C16/20 (top surface concrete 10 cm below paving surface)
7. Ground



INSTALLATION TO PAVING

Description of the assembly

1. ZANO product
2. Quick-action fastener or chemical anchor
3. Stone paving / concrete paving / stone slabs / concrete slabs
4. Sand ballast (approx. 2 - 4 cm)
5. Stone aggregate substructure
6. Ground



CONCRETE / ASPHALT MOUNTING

Description of the assembly

1. ZANO product
2. Quick-action fastener or chemical anchor
3. Fixed hardened surface e.g. concrete or asphalt
4. Concrete foundation, class C16/20 (top surface concrete 10 cm below paving surface)
5. Stone aggregate substructure
6. Sand ballast (approx. 2 - 4 cm)
7. Ground



MOUNTING TO CONCRETE FOUNDATION

Description of the assembly

1. ZANO product
2. Quick-action fastener or chemical anchor
3. Concrete foundation, class C16/20 (top surface concrete 10 cm below paving surface)
4. Ground