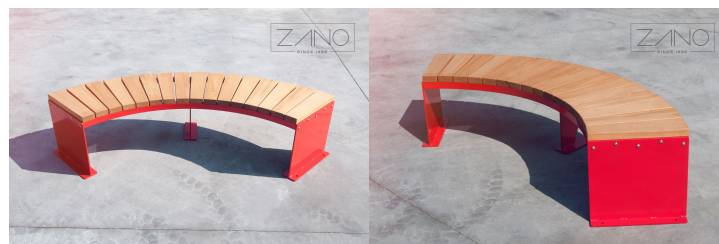




ZANO
SINCE 1988



OPTIONS

Seat

- soft wood
- hardwood of European origin
- hard wood (oil finish)
- premium hard wood
- HPL

Methods of installation

- attached by bolts to foundation

Additional table

- none
- left side
- right side
- both sides

Armrests

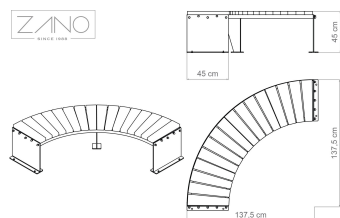
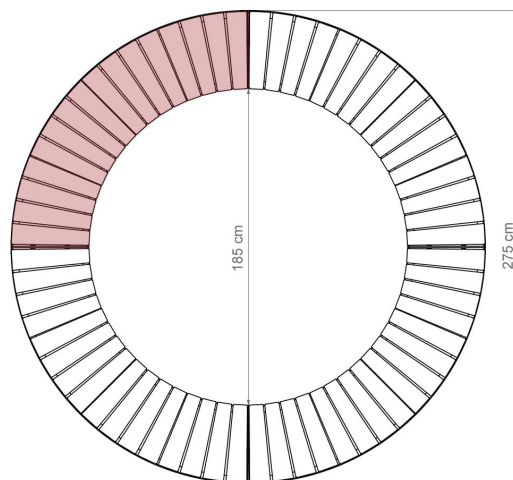
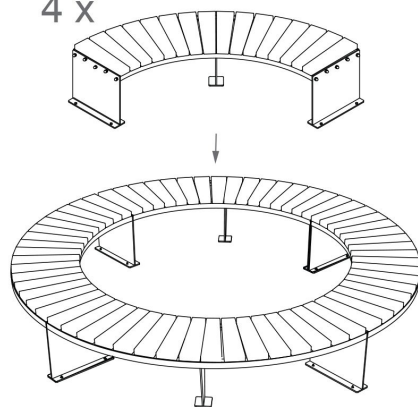
- none
- carbon steel
- stainless steel

DESCRIPTION

Domino bench 90° is a modern style seating designed by ZANO Street Furniture. The construction of this model was based on 90° angle. Thanks to this shape you can arrange a city benches of any size, shape and length. Domino seating can surround trees, monuments or main squares and playgrounds. It is functional and innovative. Presented bench is made from high quality materials – black or stainless steel and wood. It can be used inside and outside. What is more, thanks to the stainless steel Domino bench can cope with the rigours of any environment. It is a durable, maintenance-free and long-life material. Domino 90° bench can stand as an individual component or together with other elements of this street...



4 x



GENERAL TECHNICAL DATA

Dimensions

- width: 201 cm
- height: 45 cm
- depth: 142 cm
- Bench bending angle: 90°

Materials

- wood: European coniferous or exotic
- steel: carbon or stainless

Weight

- soft wood: 58 kg
- hardwood of European origin: 69 kg

ZANO



Product: Domino seating 90
 Catalog number: 02.440.1
 Designer:
 Justyna Derewiaka

In accordance with the Polish Law on Copyright and Related Rights of 04.02.1994 (Official Journal of Laws No. 24, item 83, corrected: Journal of Laws No. 43, item 170) and in accordance with the EU copyright legislation including all EU directives and regulations on copyright, Zano Mirosław Zarotynski Company, reserves the copyright of drawings, descriptions, 3D models, renderings, graphics, content contained in offers, attachments to offers and all other documents. Its content is the intellectual property of ZANO Mirosław Zarotynski company. The use of author's ideas, solutions, copying, distribution of photos, graphics or fragments of graphics, descriptive texts, for profit, without the permission of the author - ZANO Mirosław Zarotynski company - is prohibited and constitutes a copyright infringement and is punishable.

td>

NOTE: The drawings do not reflect the actual dimensions of the foundation. They are only exemplary assembly schemes taking into account the type of anchoring and the substrate material to which the furniture is to be fixed.

The size of the foundation depends on the local foundation conditions.



INSTALLATION INTO PAVING WITH FOUNDATION

Description of the assembly

1. ZANO product
2. Quick-action fastener or chemical anchor
3. Stone paving / concrete paving / stone slabs / concrete slabs
4. Sand ballast (approx. 2 - 4 cm)
5. Stone aggregate substructure
6. Concrete foundation, class C16/20 (top surface concrete 10 cm below paving surface)
7. Ground



INSTALLATION TO PAVING

Description of the assembly

1. ZANO product
2. Quick-action fastener or chemical anchor
3. Stone paving / concrete paving / stone slabs / concrete slabs
4. Sand ballast (approx. 2 - 4 cm)
5. Stone aggregate substructure
6. Ground



CONCRETE / ASPHALT MOUNTING

Description of the assembly

1. ZANO product
2. Quick-action fastener or chemical anchor
3. Fixed hardened surface e.g. concrete or asphalt
4. Concrete foundation, class C16/20 (top surface concrete 10 cm below paving surface)
5. Stone aggregate substructure
6. Sand ballast (approx. 2 - 4 cm)
7. Ground



MOUNTING TO CONCRETE FOUNDATION

Description of the assembly

1. ZANO product
2. Quick-action fastener or chemical anchor
3. Concrete foundation, class C16/20 (top surface concrete 10 cm below paving surface)
4. Ground