



OPTIONS

Seat and backrest

- soft wood
- hardwood of European origin
- hard wood (oil finish)
- premium hard wood

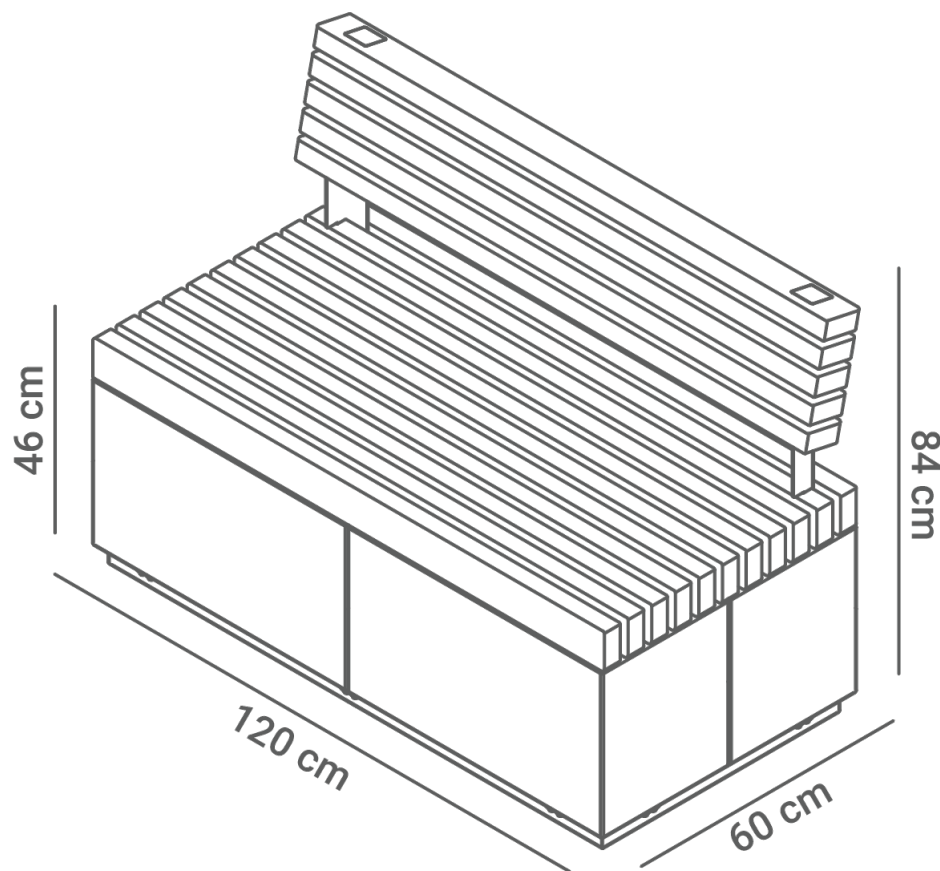
Methods of installation

- free-standing
- attached by bolts to foundation

DESCRIPTION

The Quadro series is a modular system of benches and pots, ideal for creating larger compositions in urban spaces. The Quadro bench 02.076.1 is a backless model, 120 cm wide, corresponding to the length of two seats 02.176 or two pots 06.076.S. The structure of the bench is made of steel, finished with wooden planks. The customer has the option of choosing a version made of carbon steel, galvanised and powder-coated in the chosen colour, or stainless steel. The seat can be made of soft coniferous wood of European origin, protected by varnish in several colour variants, or hard exotic wood, protected by oiling.





GENERAL TECHNICAL DATA

Materials

- wood: European coniferous or exotic wood
- construction - stainless steel or carbon steel, galvanised and powder coated

Dimensions

- width: 120 cm
- height: 84 cm
- depth: 60 cm

ZANO

*Iwona Żaczek*

Product: Quadro bench
Catalog number: 02.076.1
Designer: Iwona Żaczek

In accordance with the Polish Law on Copyright and Related Rights of 04.02.1994 (Official Journal of Laws No. 24, item 83, corrected: Journal of Laws No. 43, item 170) and in accordance with the EU copyright legislation including all EU directives and regulations on copyright, Zano Mirosław Zarotynski Company, reserves the copyright of drawings, descriptions, 3D models, renderings, graphics, content contained in offers, attachments to offers and all other documents. Its content is the intellectual property of ZANO Mirosław Zarotynski company. The use of author's ideas, solutions, copying, distribution of photos, graphics or fragments of graphics, descriptive texts, for profit, without the permission of the author - ZANO Mirosław Zarotynski company - is prohibited and constitutes a copyright infringement and is punishable.

NOTE: The drawings do not reflect the actual dimensions of the foundation. They are only exemplary assembly schemes taking into account the type of anchoring and the substrate material to which the furniture is to be fixed.

The size of the foundation depends on the local foundation conditions.



INSTALLATION INTO PAVING WITH FOUNDATION

Description of the assembly

1. ZANO product
2. Quick-action fastener or chemical anchor
3. Stone paving / concrete paving / stone slabs / concrete slabs
4. Sand ballast (approx. 2 - 4 cm)
5. Stone aggregate substructure
6. Concrete foundation, class C16/20 (top surface concrete 10 cm below paving surface)
7. Ground



INSTALLATION TO PAVING

Description of the assembly

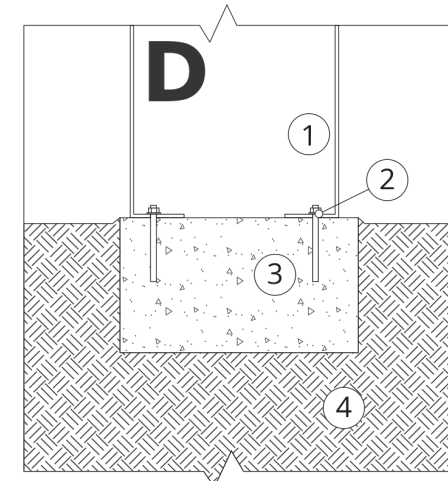
1. ZANO product
2. Quick-action fastener or chemical anchor
3. Stone paving / concrete paving / stone slabs / concrete slabs
4. Sand ballast (approx. 2 - 4 cm)
5. Stone aggregate substructure
6. Ground



CONCRETE / ASPHALT MOUNTING

Description of the assembly

1. ZANO product
2. Quick-action fastener or chemical anchor
3. Fixed hardened surface e.g. concrete or asphalt
4. Concrete foundation, class C16/20 (top surface concrete 10 cm below paving surface)
5. Stone aggregate substructure
6. Sand ballast (approx. 2 - 4 cm)
7. Ground



MOUNTING TO CONCRETE FOUNDATION

Description of the assembly

1. ZANO product
2. Quick-action fastener or chemical anchor
3. Concrete foundation, class C16/20 (top surface concrete 10 cm below paving surface)
4. Ground